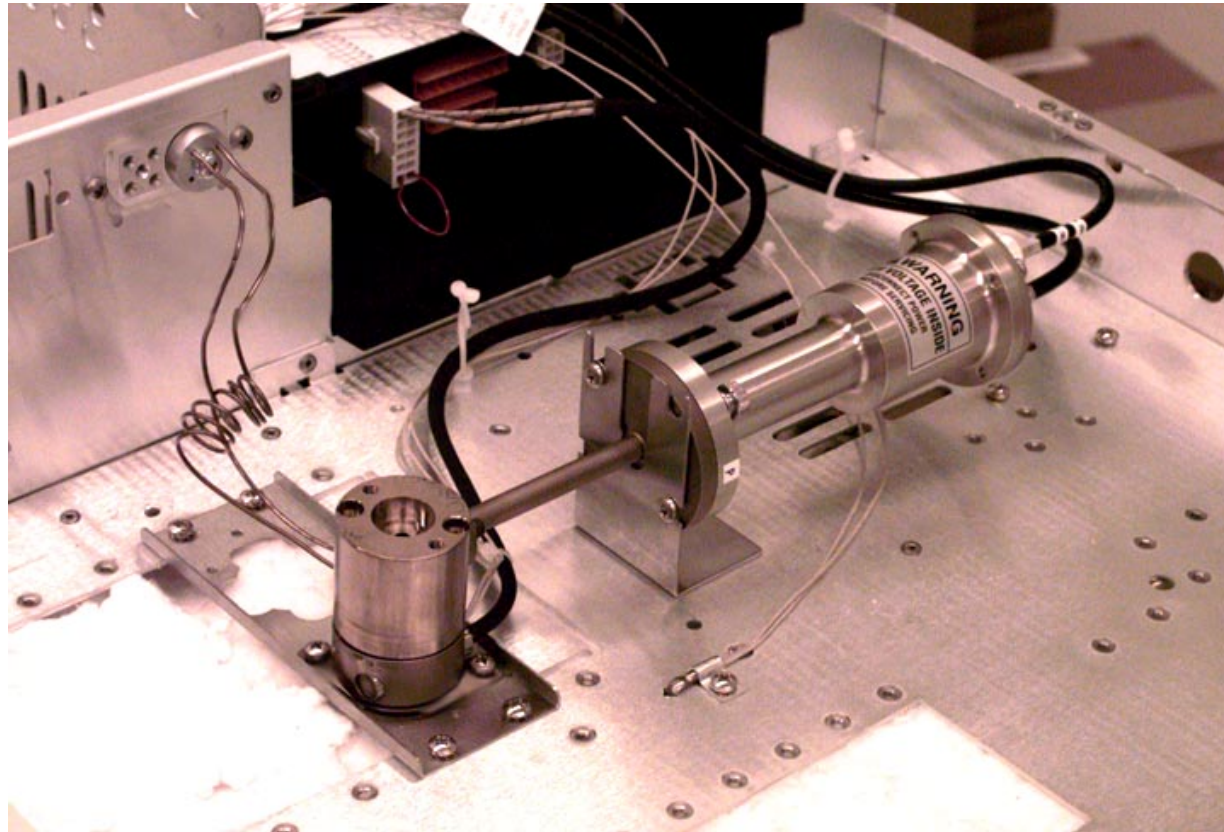
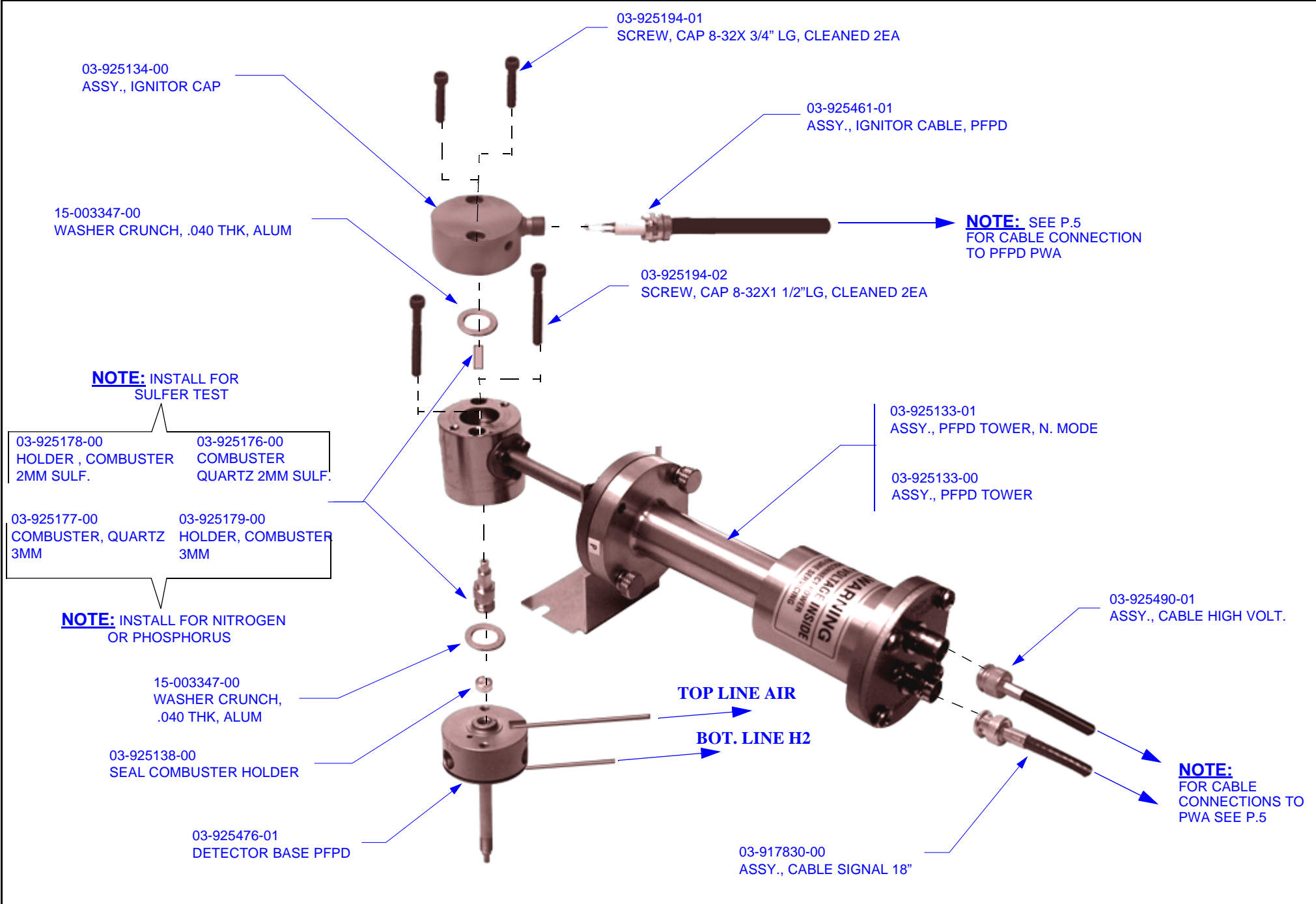
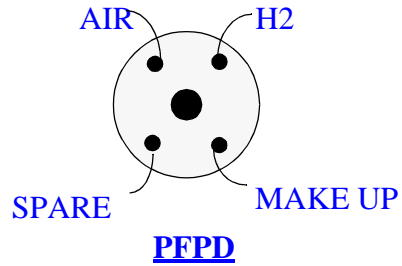
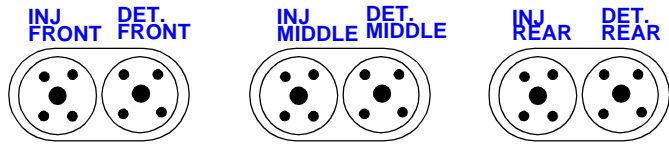


# PFPD EFC INSTALLATION

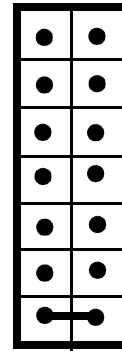






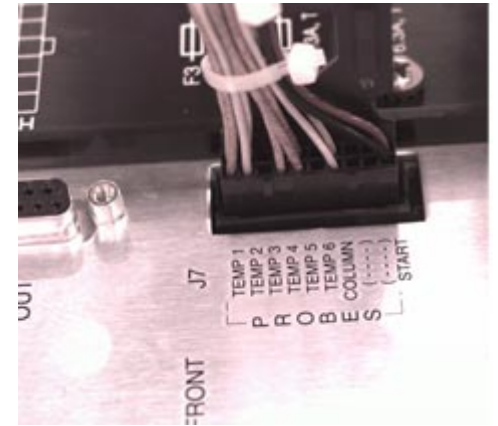
**MANIFOLD PLUMBING**

- HEAT ZONE 1
- HEAT ZONE 2
- HEAT ZONE 3
- HEAT ZONE 4
- HEAT ZONE 5
- HEAT ZONE 6



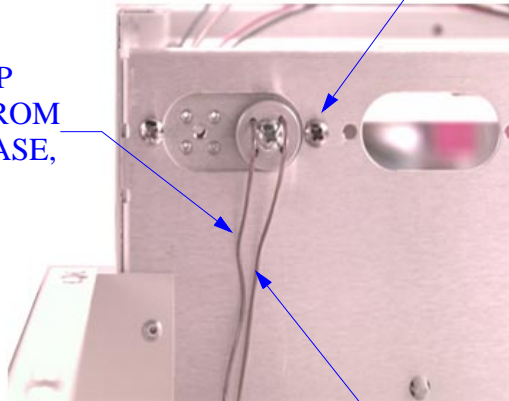
**J41**

- INJECTOR 1
- INJECTOR 2
- INJECTOR 3
- DETECTOR 1
- DETECTOR 2
- DETECTOR 3
- JUMPER



**J7**

AIR TOP LINE FROM DET. BASE, BLACK



**DETECTOR SIDE MANIFOLD**

REF ONLY

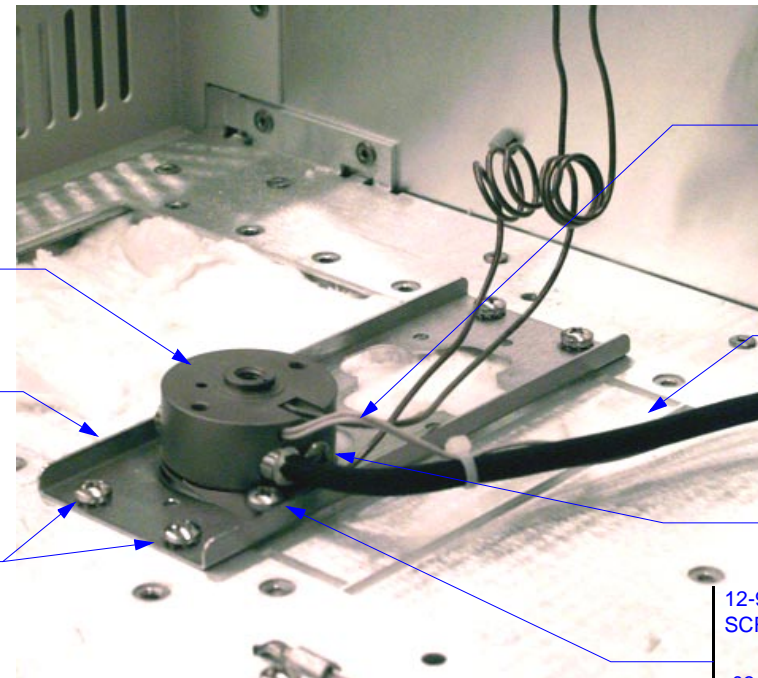
- 03-917142-00 VITON FERRULE
- 12-901150-00 SCREW
- 03-917141-00 CONDYNE PLATE

03-925476-01 DETECTOR BASE PFPD

03-925326-01 DETECTOR MOUNTING BASE

12-901163-00 SCREW, 4EA

H2 BOTTOM LINE FROM DET. BASE, RED



03-925374-01 TEMPERATURE PROBE

03-925396-01 120V HTR. ION

03-925396-02 220V HTR. ION

03-925396-03 101V HTR. ION

03-918663-06 SCREW

12-901163-00 SCREW, 2EA

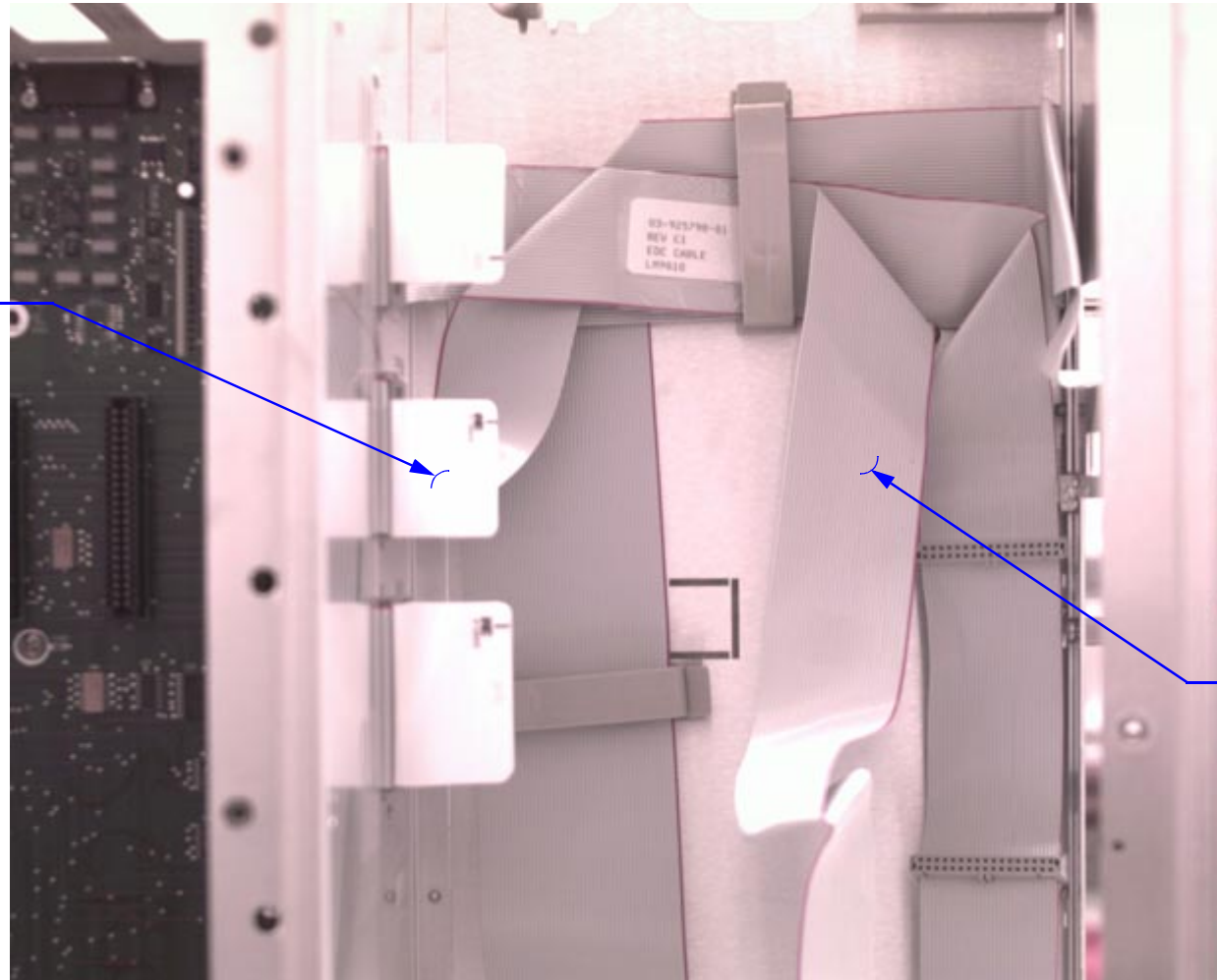
-03-925526-01 DETECTOR BASE CLIP

**CLICK HERE FOR PROBE CONNECTION TO J7 ON MAIN BD.**

**CLICK HERE FOR HEATER CONNECTION J41 ON POWER BOARD**

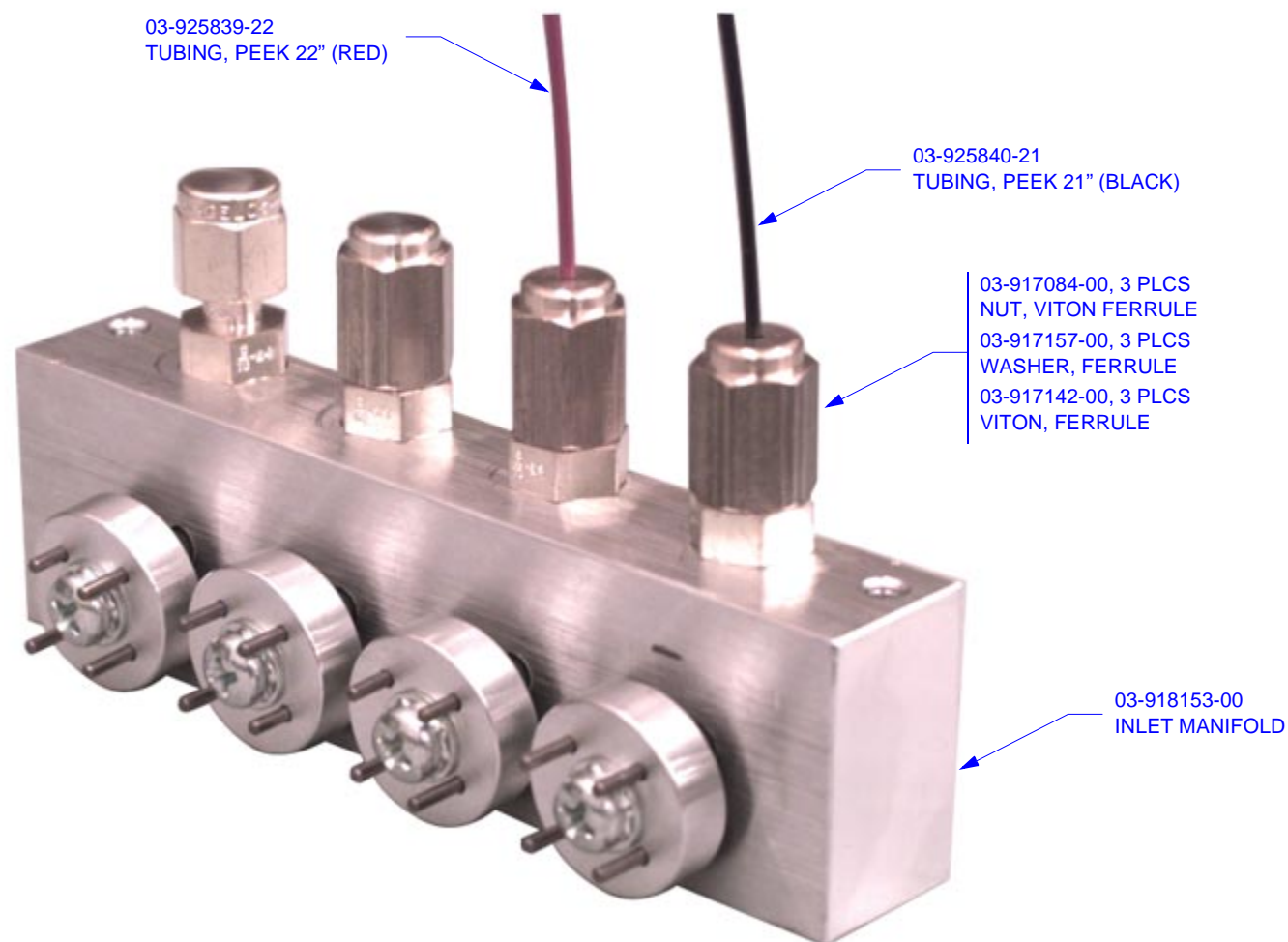
## CABLE INSTALLATION

CABLE PLUG-IN  
TO MAIN BOARD

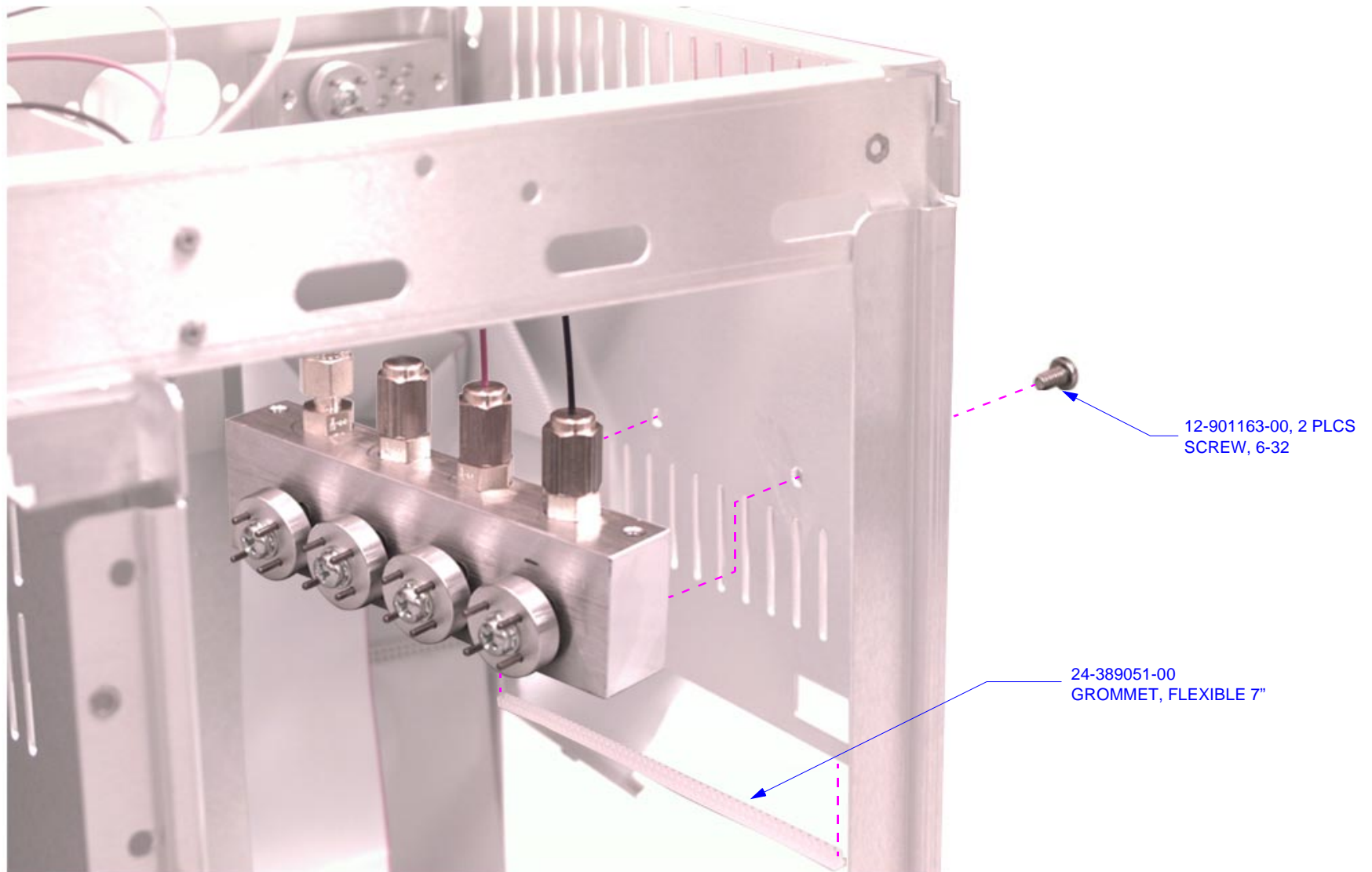


03-925798-01  
CABLE, FLAT FOR  
DETECTOR EFC

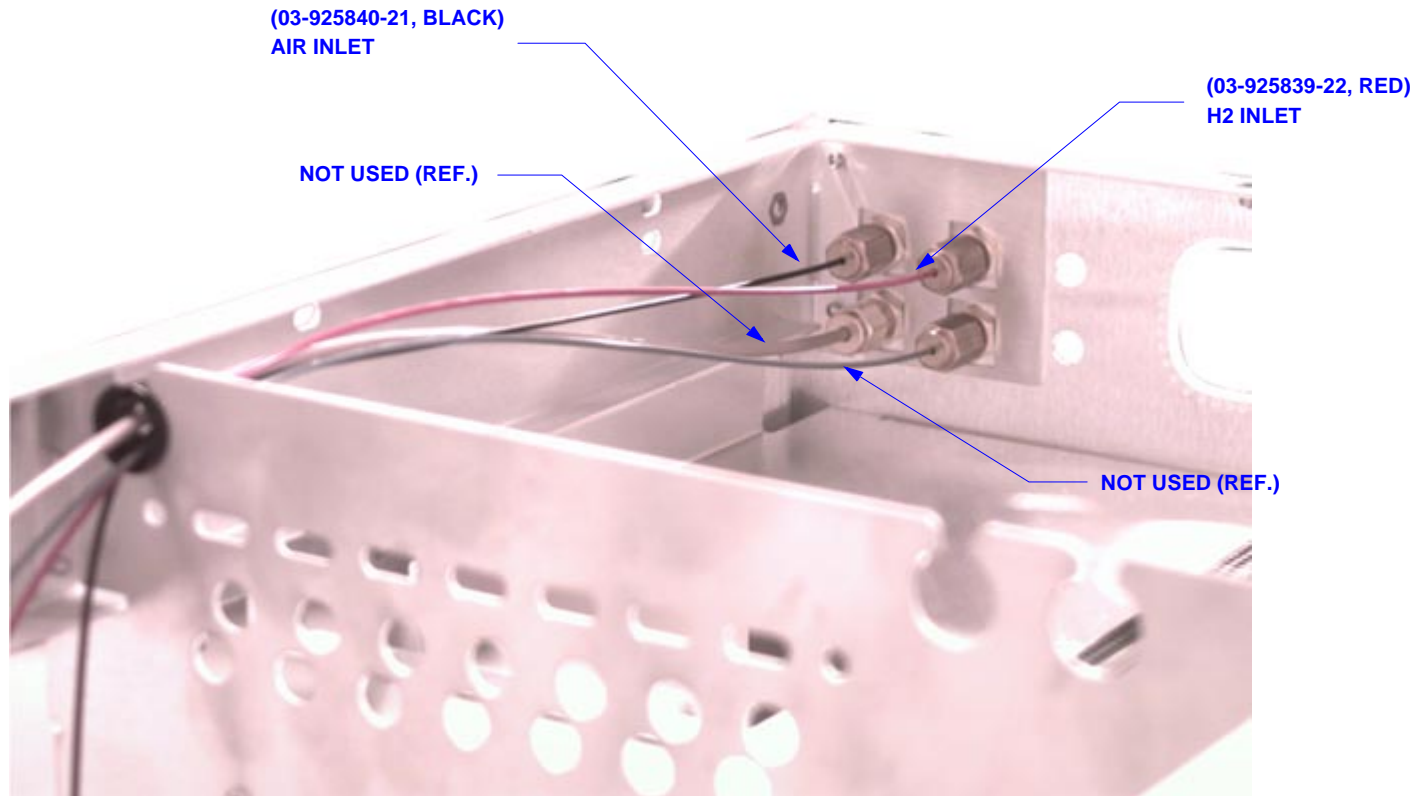
## INLET MANIFOLD SUBASSEMBLY



## MODULE INSTALLATION



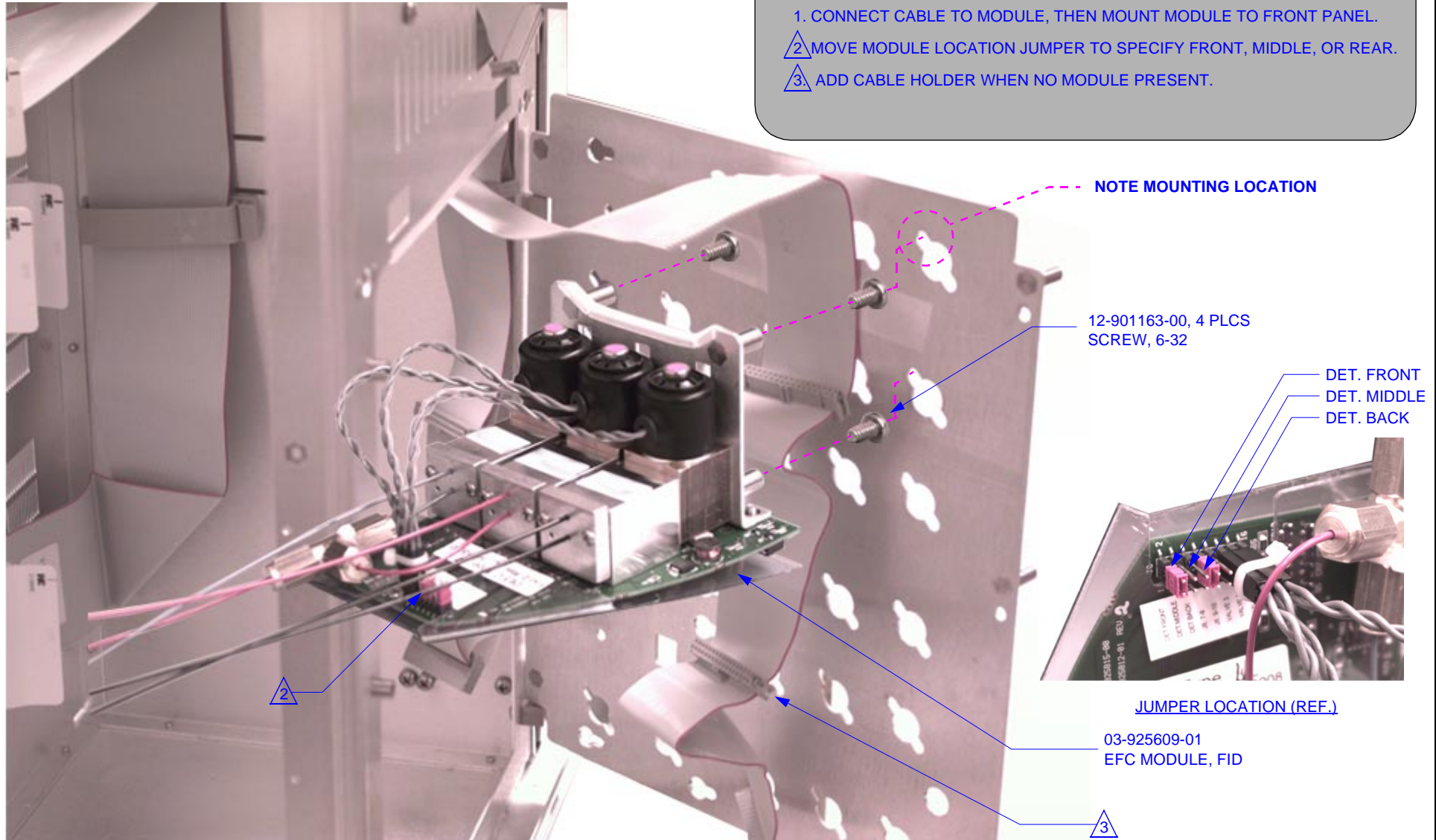
## INLET MANIFOLD INSTALLATION



## MODULE INSTALLATION

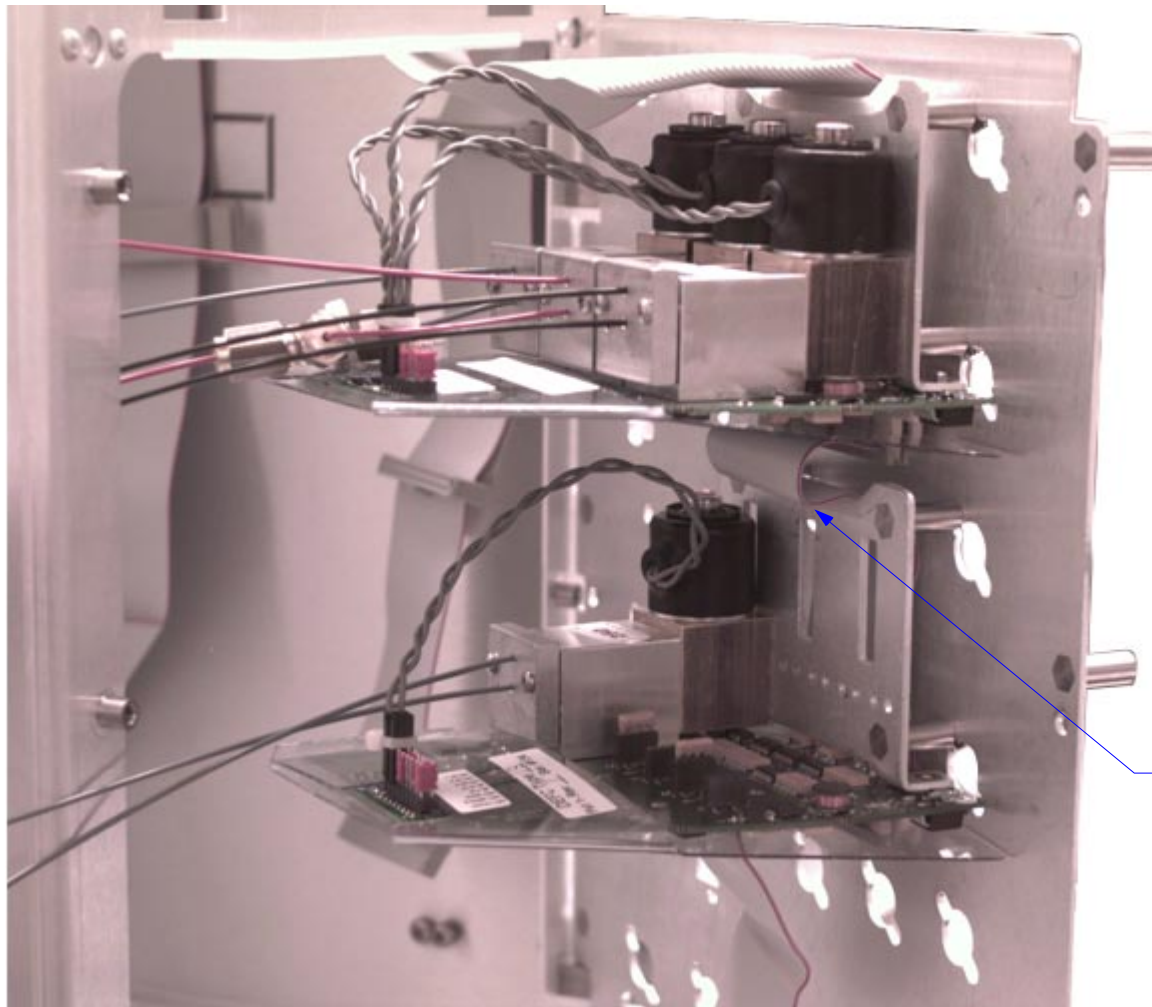
NOTES:

1. CONNECT CABLE TO MODULE, THEN MOUNT MODULE TO FRONT PANEL.
2. MOVE MODULE LOCATION JUMPER TO SPECIFY FRONT, MIDDLE, OR REAR.
3. ADD CABLE HOLDER WHEN NO MODULE PRESENT.





## ADDITIONAL MODULE CABLEING (IF REQ'D)



NOTE CABLE SERVICE  
LOOP FOR ADDITIONAL  
DETECTOR EFC MODULE

# MODULE PNEUMATICS CONNECTIONS

## NOTES:

1. DRESS PLUMBING IN PNEUMATICS COMPARTMENT USING CABLE TIE. INSPECT TO ENSURE PNEUMATICS PANEL SWINGS FREELY.

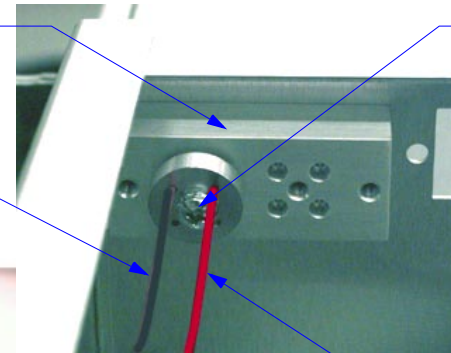
## PNEUMATICS SIDE MANIFOLD

REFERENCE ONLY  
PNEU. MANIFOLD

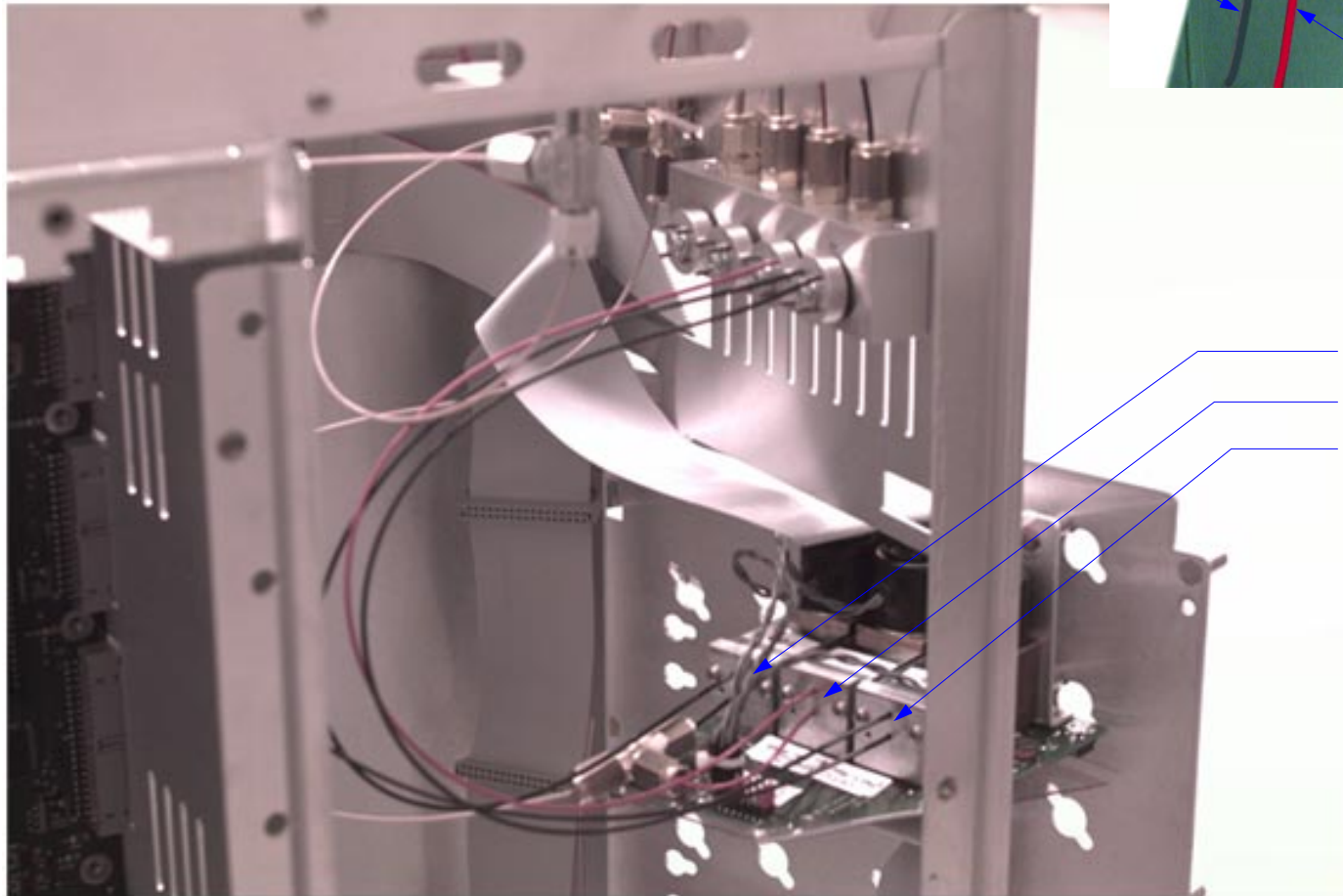
(REF.)  
ONLY

- 03-917142-00  
VITON FERRULE
- 12-901150-00  
SCREW
- 03-917141-00  
CONDYNE PLATE

HYDROGEN LINE  
FROM VALVE TO  
DETECTOR NATURAL (12")



AIR LINE FROM TEE, SST  
TO DETECTOR NATURAL (3")

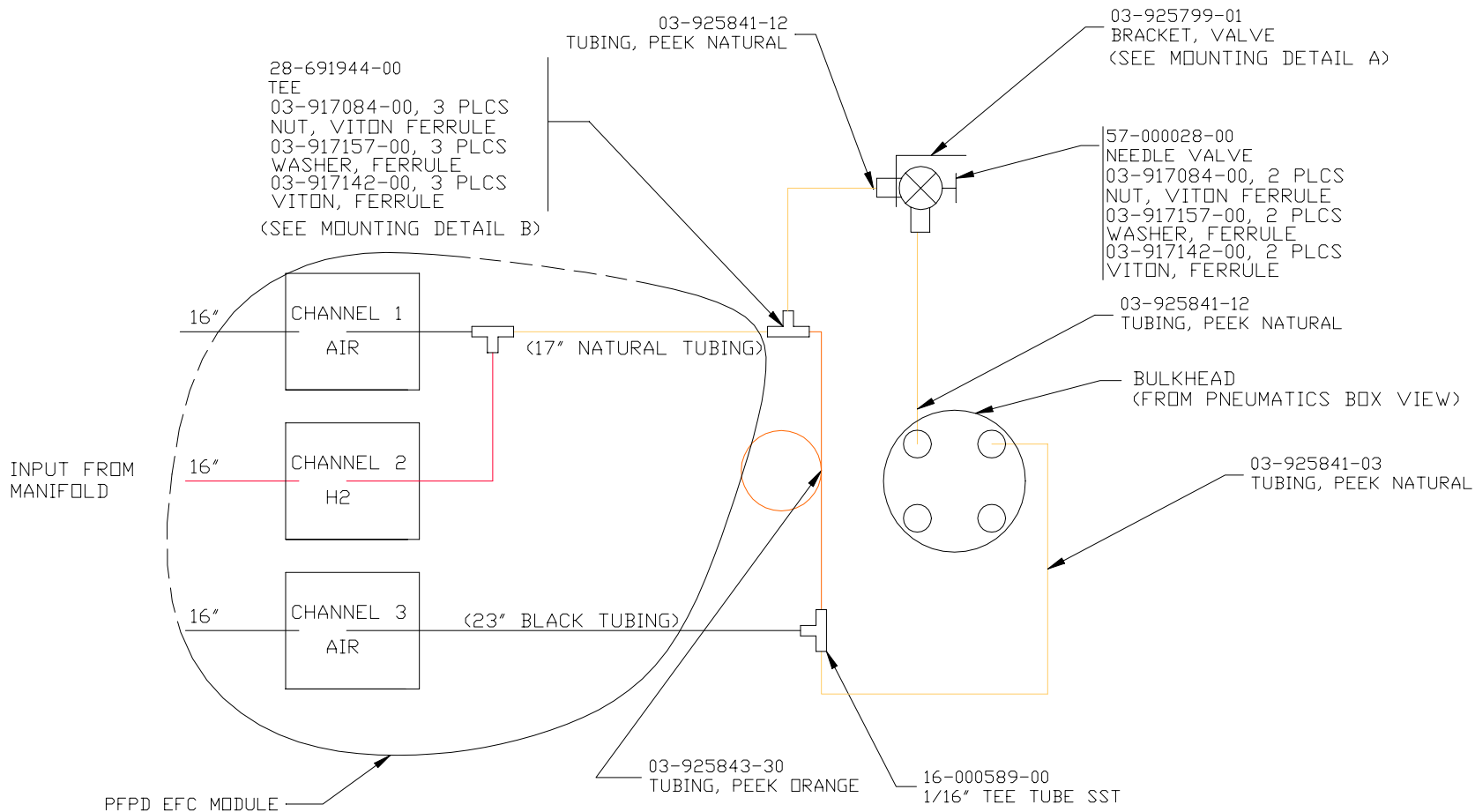


AIR 1 LINE TO MODULE CHANNEL 1 BLACK (16")

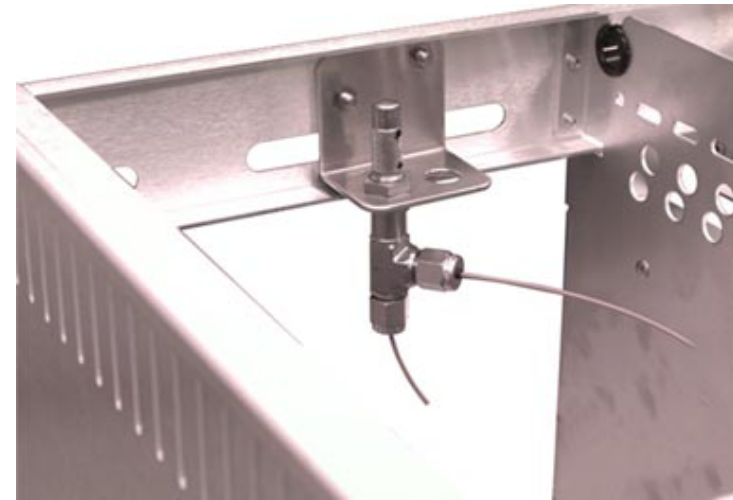
H2 LINE TO MODULE CHANNEL 2 RED (16")

AIR 2 LINE TO MODULE CHANNEL 3 BLACK (16")

## PNEUMATIC PFPD SHEMATIC

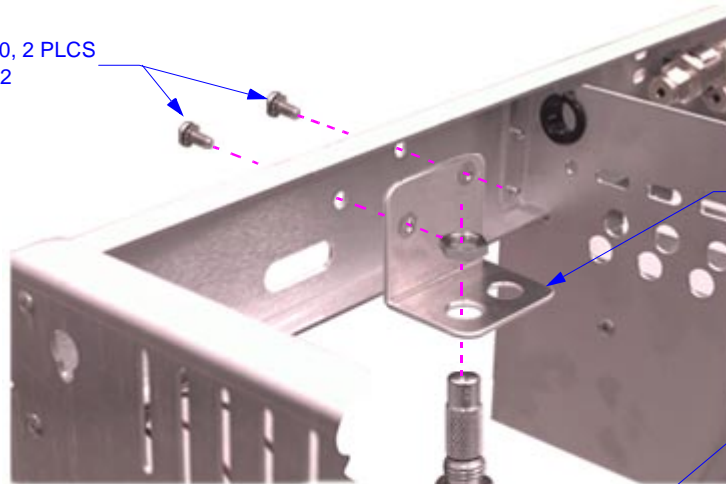


DETAIL A



ASSEMBLY VIEW

12-901163-00, 2 PLCS  
SCREW, 6-32



03-925799-01  
BRACKET, VALVE

03-917142-00, 2 PLCS  
VITON, FERRULE

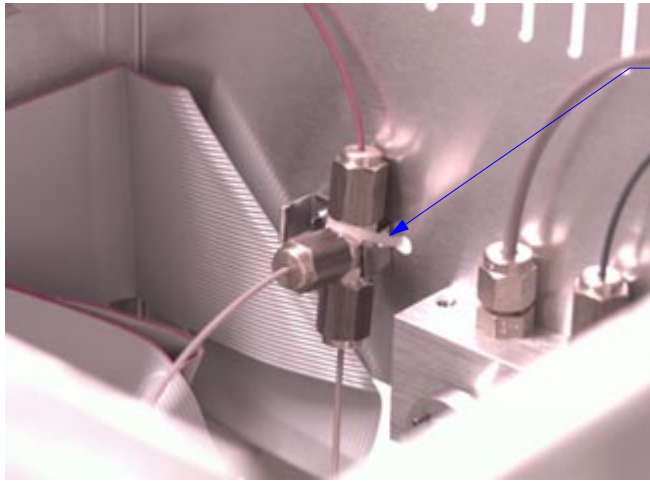
03-917084-00, 2 PLCS  
NUT, VITON FERRULE

03-925841-12, 2 PLCS  
TUBING, PEEK NATURAL

57-000028-00  
NEEDLE VALVE

03-917157-00, 2 PLCS  
WASHER, FERRULE

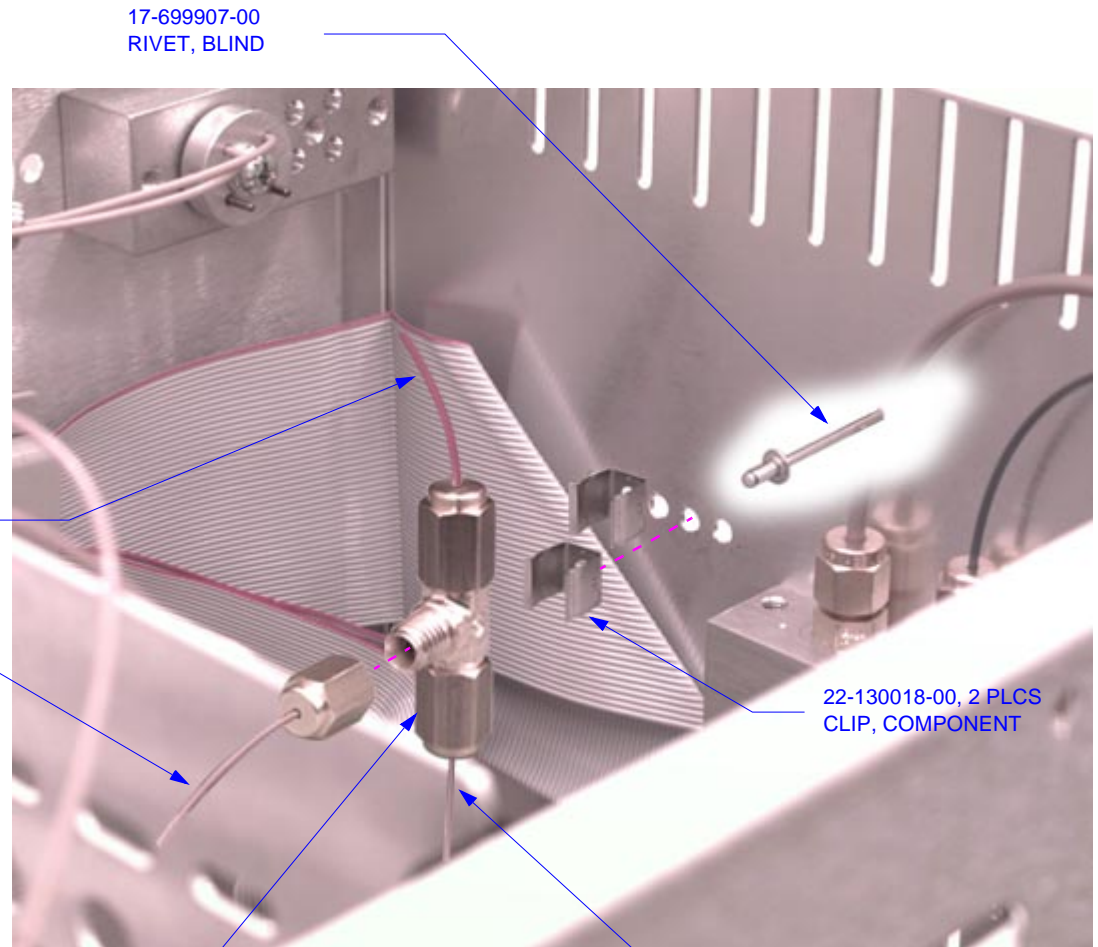
EXPLODED VIEW



22-119650-00  
TIE WRAP

### DETAIL B

### ASSEMBLY VIEW



17-699907-00  
RIVET, BLIND

ORANGE TUBING

TO NEEDLE VALVE

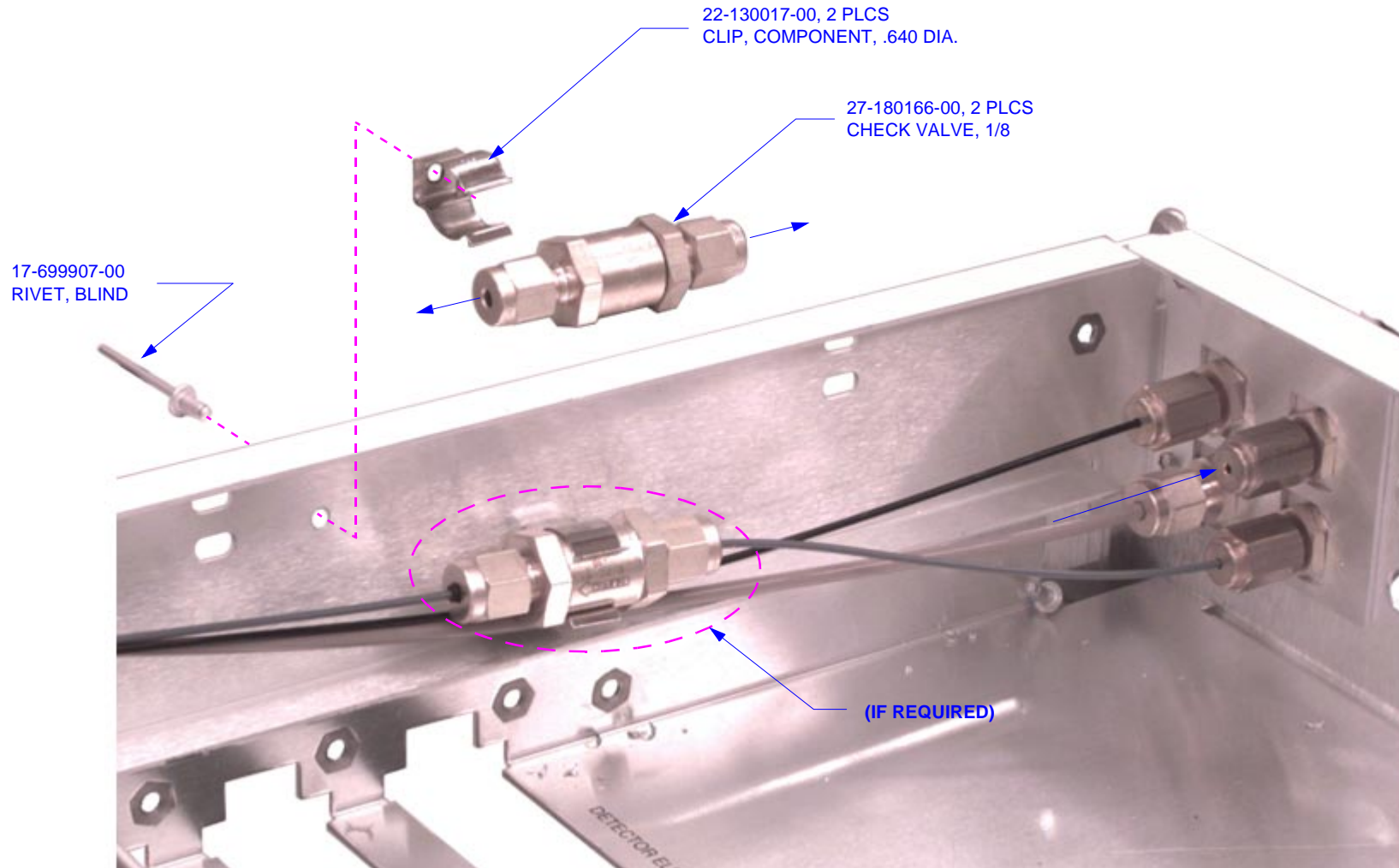
22-130018-00, 2 PLCS  
CLIP, COMPONENT

28-691944-00  
TEE

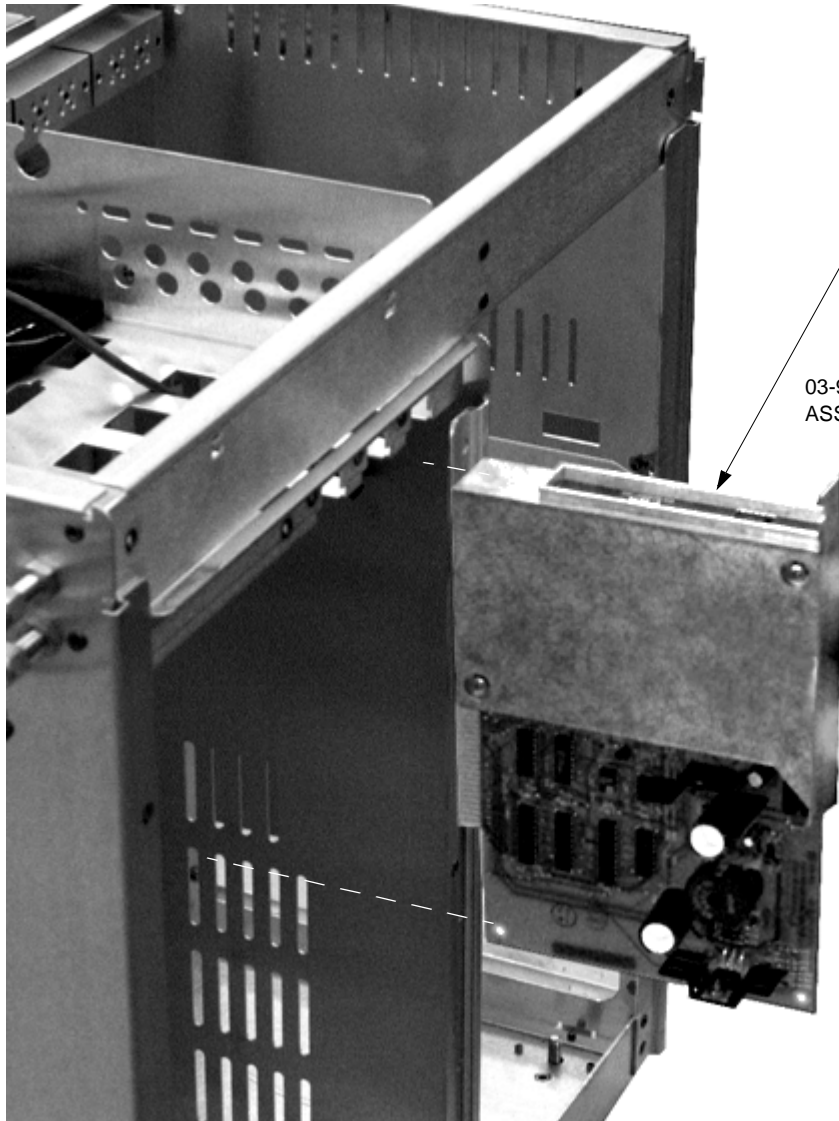
FROM DETECTOR MODULE

### EXPLODED VIEW

## INSTALLATION OF CHECK VALVE



**PFPD PWA INSTALLATION**

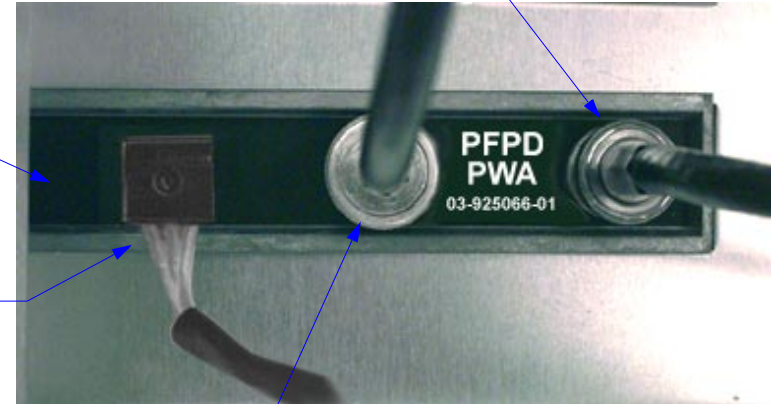


03-925066-01  
PFPD PWA

03-925461-01  
ASSY., IGNITOR CABLE, PFPD

03-908339-02  
ASSY., CABLE HIGH  
VOLT., 34" LG.

03-917830-00  
ASSY., CABLE SIGNAL 18"



14-998237-00, 2 PLCS  
SET SPRING WASHER

14-112007-00  
FLAT, WASHER

12-901163-00  
SCREW, 6-32 X 1/4

**MOUNTING SCREWS DETAIL**